



# Product Specification

## HSCP Tub Spout with diverter (Package Includes HSSH Shower Head)

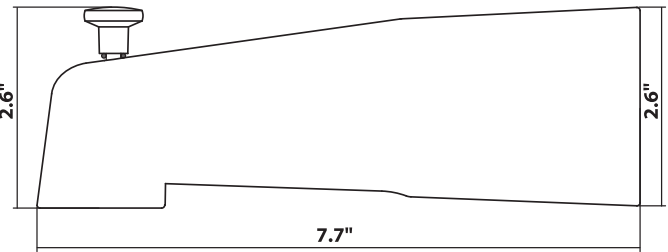
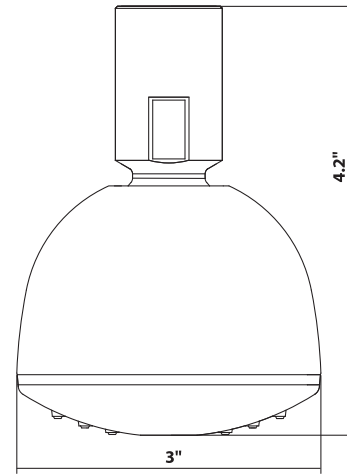
### safe water temperature every time

- Installs in Minutes
- Anti-Scald Protection Built-In
- No Adjustments or Modifications Needed
- Compatible with any Tub/Shower Valve
- 10 Year Warranty



Adapters included for installation to both 1/2" IPS threads and 1/2" copper slip-on connection.

HSCP Diverter spout must be installed in conjunction with HSSH shower head to provide scald protection. HSCP Diverter spouts are not sold separately.



**h<sub>2</sub>otstop** products all contain a patent-pending Temperature Actuated Flow Control (TAFFR) feature certified to ASSE Standard 1062. This feature is designed to reduce water flow to a trickle when water reaches unsafe temperatures, and automatically return to normal flow after the temperature is reduced. It still allows users to set water heater temperatures at a safe level to avoid Legionellae contamination. Because it is an end-point device, it can be installed in apartments and other areas where there is no access to behind-the-wall piping, and accommodates installations where different areas of the home require higher hot water temperatures.



**3LBD ASSE 1062**  
Temperature Actuated, Flow Reduction  
(TAFFR) Valves for Individual Supply Fixtures



ASME A112.18.1 / CSA B125.1  
with Supplemental ASSE 1062 Testing



#### HotStop™ Tub Spout with Diverter

Min. Actuation Temp.	117° F (47° C)
Shut-off Time	<5 seconds @ 120°F (49° C)
Housing Material	ABS plastic
Finish	Polished Chrome
Shipping Weight	1.70 lbs
Included Accessories	1/2" slip-on adapter, wrench

For more information on the HotStop line of products:

[www.H2OTSTOP.com](http://www.H2OTSTOP.com)  
**877.531.7470**

American Valve, Inc.  
P.O. Box 35229  
Greensboro, NC 27425