



AVOS

Thermoplastic Valves & Fittings



Innovative Solutions That Solve Everyday Water Challenges

American Valve has been known for high-quality valves used in plumbing, HVAC, and industrial applications for more than 100 years. We are known throughout world as the leader in ball valves, plumbing valves, thermoplastic valves, and water treatment components.

Our products are engineered to solve flow control challenges in a broad range of applications, and are designed to provide years of reliable service.





OEM Equipment



Irrigation



Water Treatment



Pools



Industrial



Aquaculture

AVOS

THERMOPLASTIC VALVES & FITTINGS

AVOS Thermoplastic Valves and Fittings are engineered for precision fluid handling systems. Made from durable thermoplastic materials, AVOS offers excellent resistance to chemicals, abrasion, and corrosion. They are easy to install and maintain, making them a popular choice for a wide range of applications in various industries such as water treatment, chemical processing, and more. AVOS offers a comprehensive range of thermoplastic valves and fittings in various sizes and configurations to meet the specific requirements of different applications. With their reliable performance and global approvals, AVOS Thermoplastic Valves and Fittings are an excellent choice for corrosive fluids and challenging environments.

P200U | True Union Ball Valves

Part Features:

- Double union/double block design permits in-line maintenance without cutting pipe
- Handle doubles as a spanner wrench for easy adjustment to compensate for seat wear
- Quick and easy disassembly without special tools
- Positive shutoff

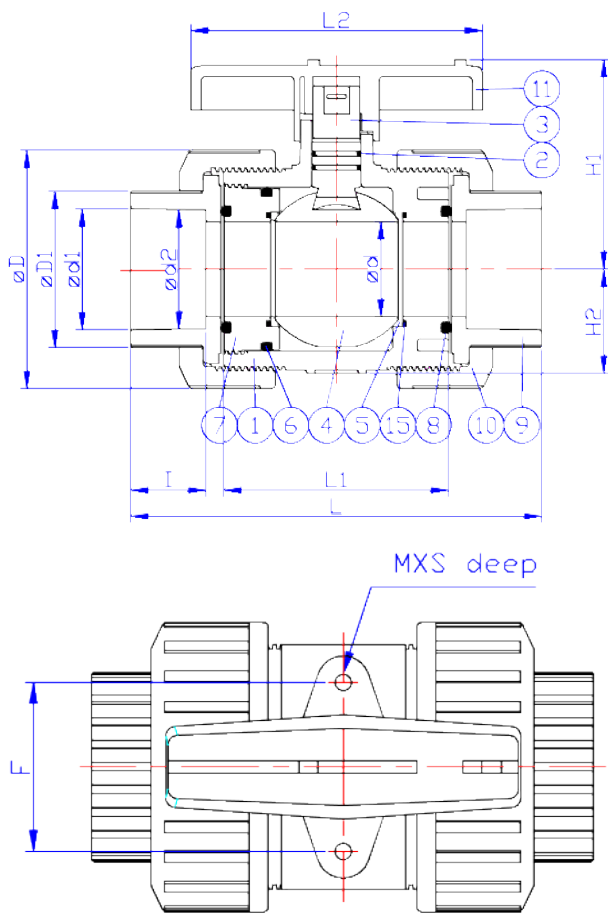
Applications: Isolation valve, water treatment, water features, fountains, aquariums, landfills, swimming pools, power plants, mining, transportation, chemical processing

	P200U	P200UC
Sizes (in.)	½" - 4"	½" - 4"
Pressure	150 PSI @ 73°F	150 PSI @ 73°F
Temperature	140°F at 30 psi	180°F at 45 psi
Materials	Schedule 80 PVC	Schedule 80 CPVC
Ends	Socket X Socket	Socket X Socket
Seats/Seals	PTFE/EPDM	PTFE/EPDM



*½" - 2" both threaded and socket unions supplied with valve.
Threaded unions available by request for sizes above 2"





Materials

Number	Part	Material
1	Body	UPVC, CPVC
2	Stem O-Ring	EPDM (FPM Available)
3	Stem	UPVC, CPVC
4	Ball	UPVC, CPVC
5	Seat Seal	PTFE
6	Carrier O-Ring	EPDM (FPM Available)
7	Seal Carrier	UPVC, CPVC
8	Union O-Ring	EPDM (FPM Available)
9	End Connector	UPVC, CPVC
10	Union Nut	UPVC, CPVC
11	Handle	ABS

Dimensions (mm)

Nominal Size		½"	¾"	1"	1 ¼"	1 ½"	2"	2 ½"	3"	4"
d1	PVC	21.54	26.87	33.65	42.42	48.56	60.63	73.38	89.31	114.76
	CPVC								89.28	114.73
d2	PVC	21.23	26.57	33.27	42.04	48.11	60.17	72.85	88.70	114.10
	CPVC								88.67	114.04
I		22.22	25.40	28.58	31.75	34.93	38.10	44.45	47.63	57.15
D		46.5	55	66	82	98	120	140	163	225
D1		31	37	45	54	65	79	92	108	146
d		13	18	23	30	38	48	61	69	99
L		114	135	149	168	175	208	275	304	332
L1		60	73	79	88	95	114	138	158	176
L2		78	92	100	110	121	147	180	224	278
H1		47	57	66	74	87	106	116	130	178
H2		21	26	33	39	41	53	-	-	-
F		30	33	40	47	52	70	-	-	-
M		M5	M6	M6	M8	M8	M8	-	-	-
S		8	8	11	11	11	15	-	-	-

P200 | Molded-In-Place Ball Valves

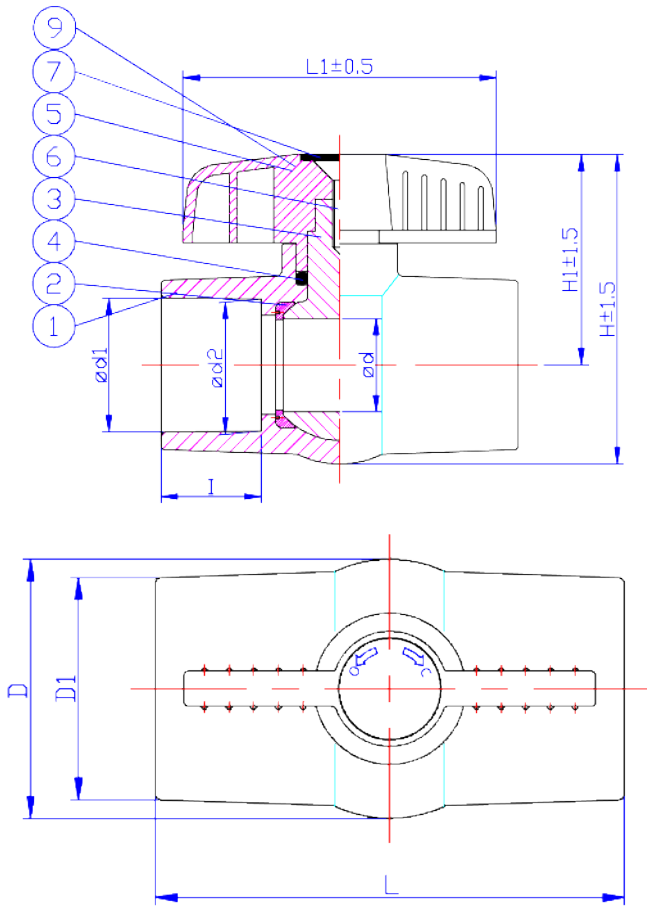
Part Features:

- Molded-in-Place One-Piece Design
- Compact & lightweight
- Excellent flow characteristics

Applications: Good for general plumbing service, irrigation, swimming pools and water features, aquariums, isolation, water & waste water treatment, chemical plants, agriculture, factory and marine equipment.

	P200-80	P200S-80
Sizes (in.)	½" - 4"	½" - 4"
Pressure	150 PSI @ 73°F	150 PSI @ 73°F
Temperature	140°F at 30 psi	140°F at 30 psi
Materials	Schedule 80 PVC	Schedule 80 PVC
Ends	Female NPT X Female NPT	Socket X Socket
Seats/Seals	EPDM/EPDM	EPDM/EPDM





Materials

Number	Part	Material
1	Body	UPVC
2	Seat Seal	EPDM
3	Ball	UPVC
4	O-Ring	EPDM
5	Handle	ABS
6	Bolt	Zinc-Plated Steel
7	Cap	ABS
9	Steel Insert (3"-4")	Zinc-Plated Steel

Dimensions (mm)

Nominal Size	½"	¾"	1"	1 ¼"	1 ½"	2"	2 ½"	3"	4"
d1	21.45	26.87	33.65	42.42	48.56	60.63	73.38	89.31	114.76
d2	21.23	26.57	33.27	42.04	48.11	60.17	72.85	88.70	114.10
I	22.22	25.40	28.58	31.75	34.93	38.10	44.45	47.63	57.15
D	38	49	57	63	75	92	110	133	170
D1	30	38	45	54	62	77	92	106	135
d	14	20	25	30	36	46.5	58	77	98
L	83	95	106	114	130	147	204	229	300
L1	70	88	100	100	109	134	178	224	276
H	64	79	95	99	115	135	160	190	233
H1	45	54	65	67	76	89	105	124	148

P21 | Butterfly Valves

Part Features:

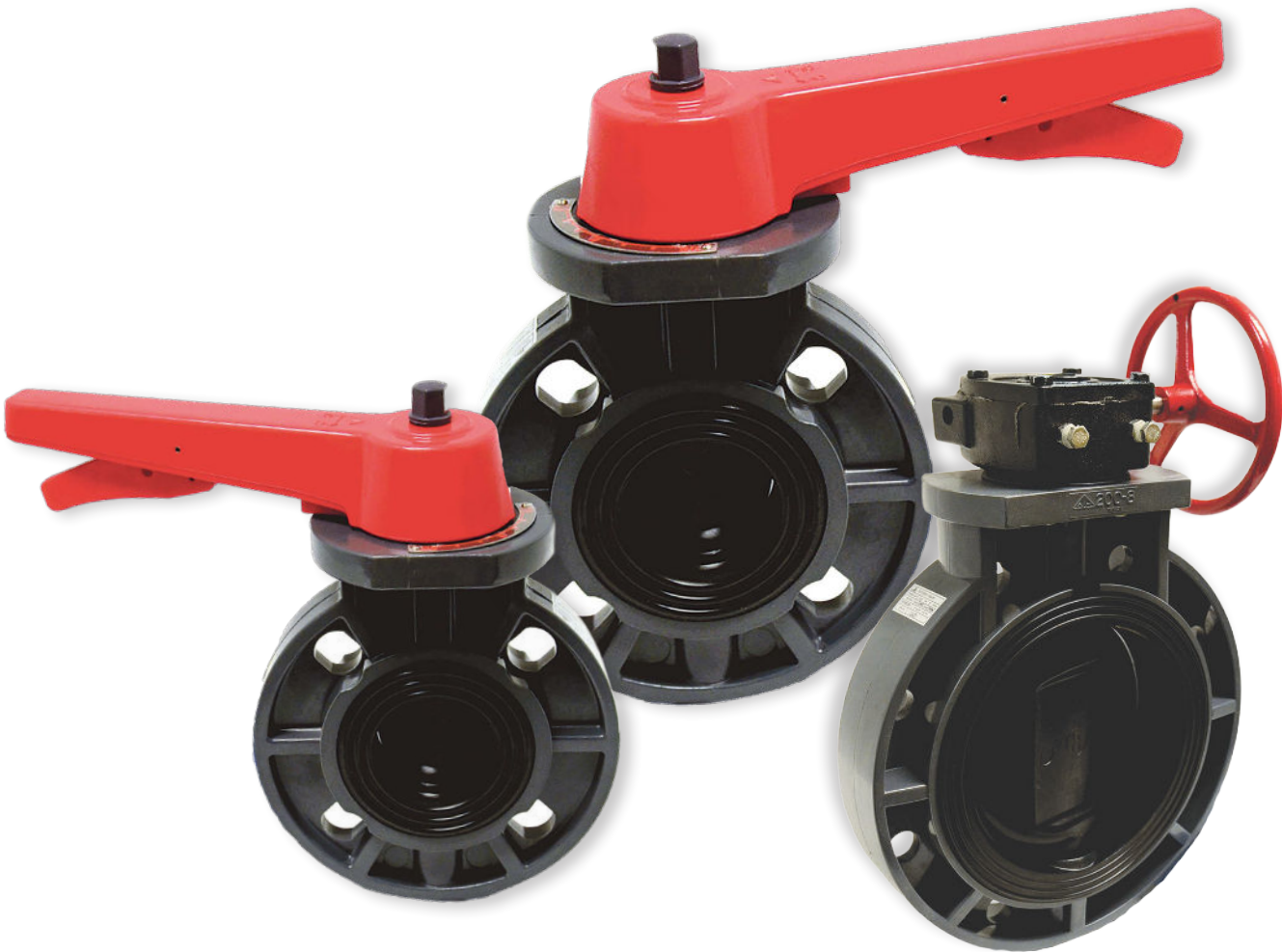
- Wafer Design
- Seven Position Handle
- Corrosion and Abrasion Resistant

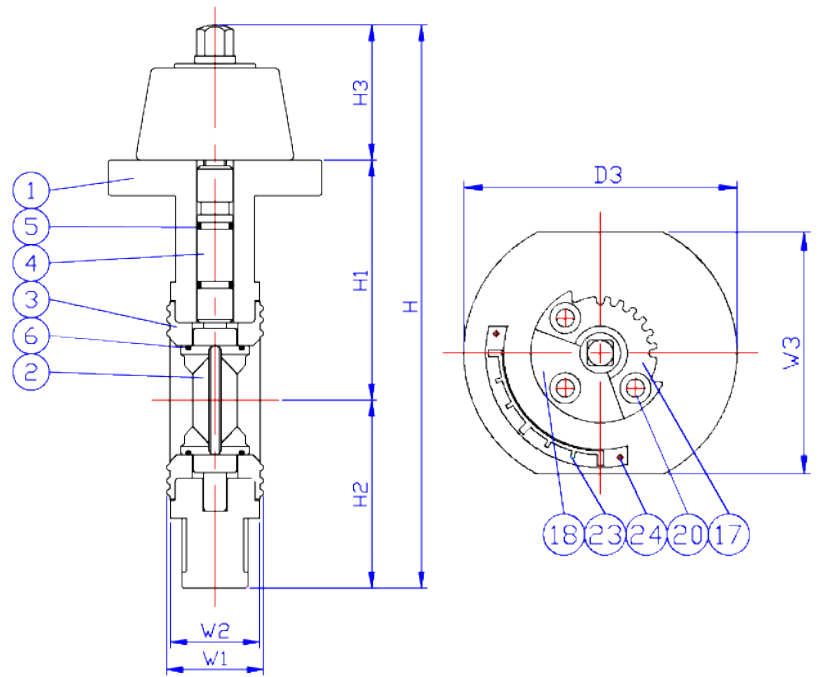
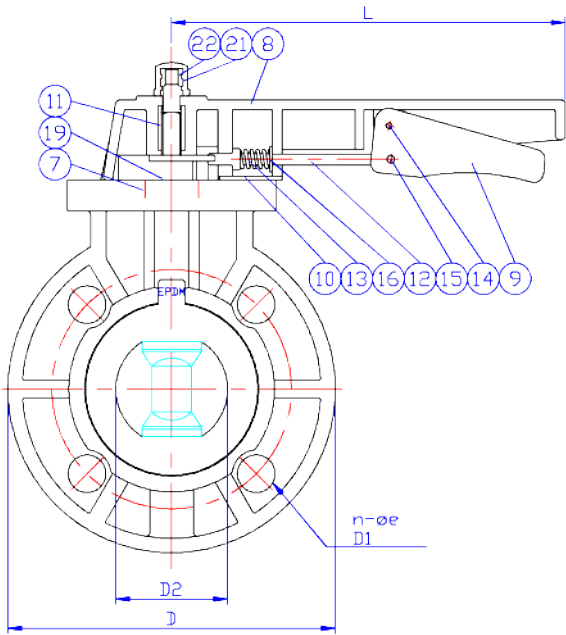
Applications: Isolation, throttling, chemical processing, water treatment, water features, fountains, aquariums, landfills, swimming pools, power plants, mining, transportation

	P21*
Sizes (in.)	2" - 8"
Pressure	150 PSI @ 73°F
Temperature	140°F at 30 psi
Materials	Schedule 80 PVC
Ends	Wafer
Seats/Seals	EPDM/EPDM

*Available through 24 in.

*Sizes 8 in and larger supplied with handwheel operator





Materials

Number	Part	Material	Qty
1	Body	UPVC	1
2	Disc	UPVC	1
3	Seat	EPDM (FPM Available)	1
4	Stem	SUS 410	1
5	Stem O-Ring	EPDM (FPM Available)	2
6	Disc O-Ring	EPDM (FPM Available)	2
7	Inserted Nut	C3602	3
8	Large Handle	PP	1
9	Small Handle	PP	1
10	Spring Lock	PP	1
11	Handle Insert	Stainless Steel	1
12	Handle Lever	SUS 304	1
13	Spring	SUS 304	1
14	Spring Pin	SUS 304	1
15	Spring Pin	SUS 304	1
16	Washer	SUS 304	1
17	Locking Plate	SUS 304	1
18	Gear Seat	UPVC	1
19	Stem Washer	SUS 304	1
20	Bolt	SUS 304	3
21	Nut	UPVC	1
22	Inserted Nut	C3602	1
23	Scale	SUS 304	1
24	Rivet	SUS 304	2

Dimensions (mm)

Nominal Size	2"	2½"	3"	4"	6"	8" (w/gear)
D1	121	140	152	191	241	298
n-øe	4-19	4-19	4-19	8-19	8-23	8-22
D	165.5	185	200	229	288	343
D2	56.5	69.5	79.5	102.5	149.5	203
D3	106	119	124	134.5	170	202
L	199	199	199	252	297	
H	248	267	278.5	318	407.5	524
H1	106	115	118	138.5	179	2543.5
H2	82.75	92.5	100	114.5	144	209.5
H3	59.5	59.5	61	65.5	84.5	77.5
W1/L1	42.5	47	47	57	70	284.5
W2/L2	3 9	44	44	54	65	73
W3/L3	94	94	94	99.5	101	85
L4						60
L5						161

P400 | Check Valves

P430S | Swing Foot Check Valves

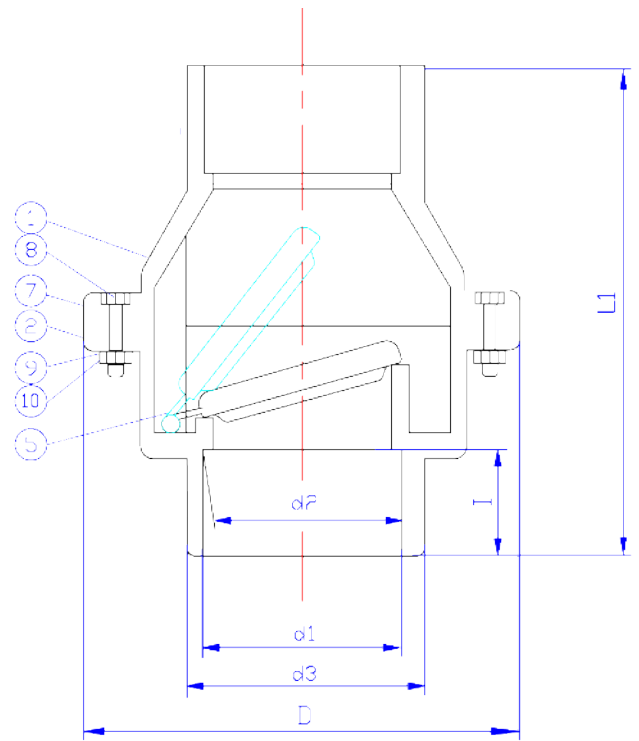
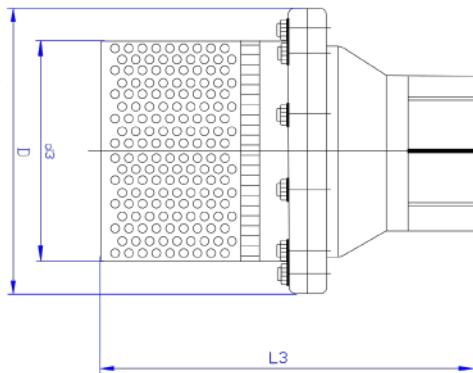
Part Features:

- May be installed either vertically or horizontally
- Removeable/Replaceable screen

Applications: Prevents backflow and siphoning in swimming pools, hot tubs, spas, solar equipment, industrial applications, irrigation, etc.



	P430S
Sizes (in.)	3", 4"
Pressure	150 PSI @ 73°F
Temperature	140°F at 30 psi
Materials	Schedule 80 PVC
Ends	Socket X Socket
Seats/Seals	EPDM/EPDM



Materials

Number	Part	Material	Qty
1	Upper Body	UPVC	1
2	Lower Body	UPVC	1
5	Sheet Gasket	EPDM	1
7	O-Ring	EPDM	1
8	Bolt	SUS 304	10
9	Washer	SUS 304	10
10	Nut	SUS 304	10
11	Screen	UPVC	1

Dimensions (mm)

Nominal Size	3"	4"
D1	152	191
d1	89.31	114.76
d2	88.7	114.07
D	196	210
D2	185	210
D3	153	153
d3	108	133
L1	221	271
L2	260	300
L3	275	320

P440F | Flanged Swing Check Valves

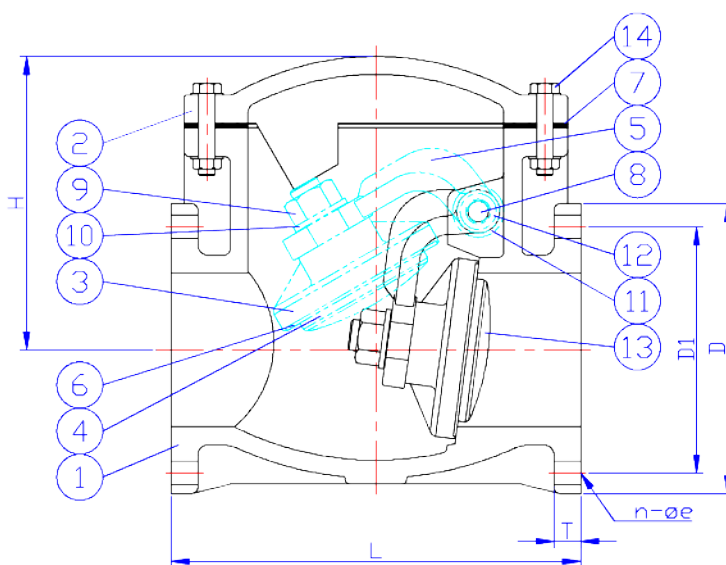
Part Features:

- Top access cover for easy maintenance without removal from pipeline
- ANSI Flange class 150
- May be installed either vertically or horizontally

Applications: Prevents backflow and siphoning in swimming pools, hot tubs, spas, solar equipment, industrial applications, irrigation, etc.



	P440F
Sizes (in.)	2" - 8"
Pressure	150 PSI @ 73°F
Temperature	122°F at 100 psi
Materials	Schedule 80 PVC
Ends	Flange x Flange
Seats/Seals	EPDM/EPDM



Materials

Number	Part	Material	Qty
1	Body	UPVC	1
2	Bonnet	UPVC	1
3	Disc	UPVC	1
4	Disc Holder	UPVC	1
5	Swing Arm	UPVC	1
6	Disc Casket	EPDM	1
7	Gasket	EPDM	1
8	Shaft	PTFE	1
9	Disc Nut	UPVC	1
10	Disc Washer	UPVC	1
11	Sheet Gasket	EPDM	1
12	Sheet Bolt	UPVC	1
13	Disc Bolt	UPVC	4-8
14	Bot Sets	SUS 304	8-12

Dimensions (mm)

Nominal Size	2"	2 ½"	3"	4"	6"
D	152	178	191	229	285
D1	121	140	152	191	241
L	200	240	260	300	400
n-øe	4-18	4-18	8-18	8-18	8-22
T	20	22	22	24	26
H	165	170.5	170	216	286

P460U & P460UC | Ball Check Valves

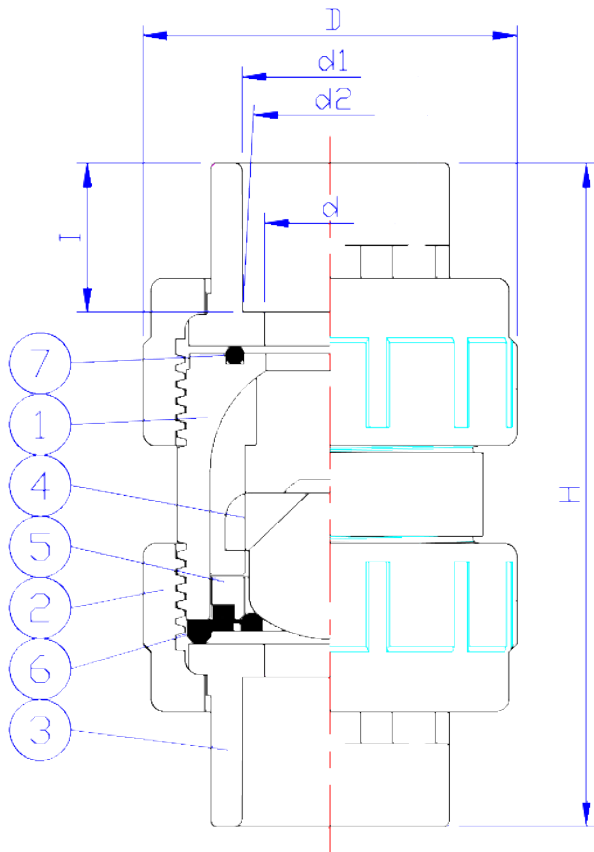
Part Features:

- Seals by gravity in vertical position
- Seals at 2 - 4 psi back pressure in horizontal position
- Arrow indicates flow direction
- True Union design for quick and easy disassembly without special tools

Applications: Prevents backflow and siphoning in swimming pools, hot tubs, spas, solar equipment, industrial applications, irrigation, etc.

	P460U	P460UC
Sizes (in.)	½" - 2"	½" - 2"
Pressure	150 PSI @ 73°F	150 PSI @ 73°F
Temperature	140°F at 30 psi	180°F at 45 psi
Materials	Schedule 80 PVC	Schedule 80 CPVC
Ends	Socket X Socket	Socket X Socket
Seats/Seals	EPDM/EPDM	EPDM/EPDM





Materials

Number	Part	Material	Qty
1	Body	UPVC, CPVC	1
2	Union Nut	UPVC, CPVC	2
3	End Connector	UPVC, CPVC	2
4	Ball	UPVC, CPVC	1
5	Gland	UPVC, CPVC	1
6	Seal	EPDM	1
7	O-Ring	EPDM	1

Dimensions (mm)

Nominal Size	½"	¾"	1"	1 ¼"	1 ½"	2"
d1	21.54	26.87	33.65	42.42	48.56	60.63
d2	21.23	26.57	33.27	42.04	48.11	60.17
I	22.22	25.4	28.58	31.75	34.93	38.1
D	56	62	72	97	97	107
d	13.3	20	25	25	40	50
H	95	110	120.1	156.5	156.5	183

P240 | Unions

Part Features:

- Union connection allows for easy access



Applications: For general plumbing and piping, irrigation, swimming pools



	P243S
Sizes (in.)	½" - 3"
Pressure	150 PSI @ 73°F
Temperature	140°F at 30 psi
Materials	Schedule 80 PVC
Ends	Socket X Socket
Seats/Seals	EPDM

P800 | Flanges and Gaskets

Part Features:

- ANSI Flange Class 150
- Loose-Ring Design

Applications: Can be used as a transitional fitting for joining plastic to metal piping systems



	P820VS	P830
Sizes (in.)	2" - 12"	1" - 10"
Pressure	150 PSI @ 73°F	150 PSI @ 73°F
Temperature	140°F at 30 psi	265°F
Materials	Schedule 80 PVC	EPDM
Ends	Flange x Socket	Flange
Seats/Seals	N/A	EPDM



Email: sales@americanvalve.com
Phone: 1.800.645.0101
Fax: 1.800.876.0109



@AmericanValve

ATV0223V1