



# Product Specification

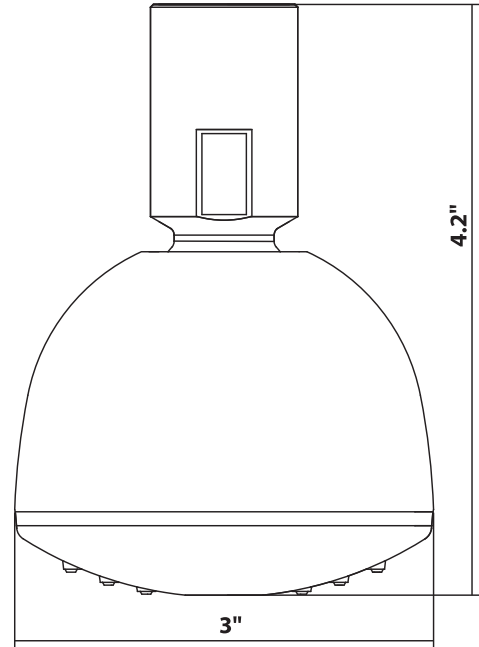
## HSSH Shower Head

### safe water temperature every time

- Installs in Minutes
- Anti-Scald Protection Built-In
- No Adjustments or Modifications Needed
- Compatible with any Tub/Shower Valve
- 10 Year Warranty



- Flexible tip spray nozzles makes cleaning fast and easy



**h<sub>2</sub>otstop** products all contain a patent-pending Temperature Actuated Flow Control (TAFR) feature certified to ASSE Standard 1062. This feature is designed to reduce water flow to a trickle when water reaches unsafe temperatures, and automatically return to normal flow after the temperature is reduced. It still allows users to set water heater temperatures at a safe level to avoid Legionellae contamination. Because it is an end-point device, it can be installed in apartments and other areas where there is no access to behind-the-wall piping, and accommodates installations where different areas of the home require higher hot water temperatures.

#### HotStop™ Shower Head

Min. Actuation Temp.	117° F (47° C)
Shut-off Time	<5 seconds @ 120°F (49° C)
Housing Material	ABS plastic
Finish	Polished Chrome
Shipping Weight	.75 lbs
Included Accessories	PTFE tape



**3LBD ASSE 1062**  
Temperature Actuated, Flow Reduction  
(TAFR) Valves for Individual Supply Fixtures



C US  
ASME A112.18.1 / CSA B125.1  
with Supplemental ASSE 1062 Testing



**For more information on the HotStop line of products:**

[www.H2OTSTOP.com](http://www.H2OTSTOP.com)  
**877.531.7470**

American Valve, Inc.  
P.O. Box 35229  
Greensboro, NC 27425